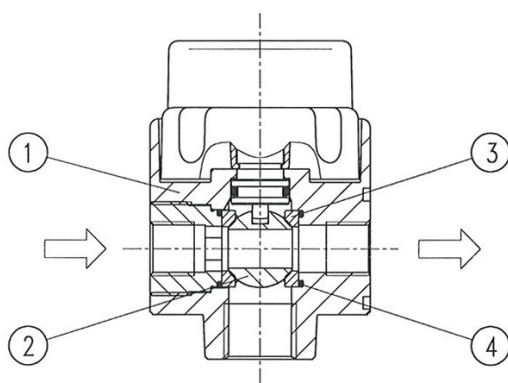
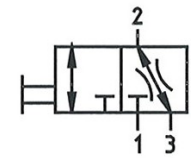


item	type	K 05	K 06
port size		G 1/8	G 1/4
description 3/2-path-valve, shut off for downstream air			
mounting arbitrary			
supply pressure Pe max. 16 bar			
media and ambient temperature -10 to 60 °C			
nominal discharge Qn 1800 l/min (Pe = 6 bar, delta P = 1 bar)			
manipulation toggle 90° rotation			
fixing install in pipe line, bracket			
weight 0,246 kg			

replacement parts

no	description	material	order-no.
1	body	zinc - Z 410	---
2	globe-stopcock	Ms	---
3	jaw	PTFE	---
4	O-Ring 12 x 1	NBR	---



series 0
ordering information

K ******

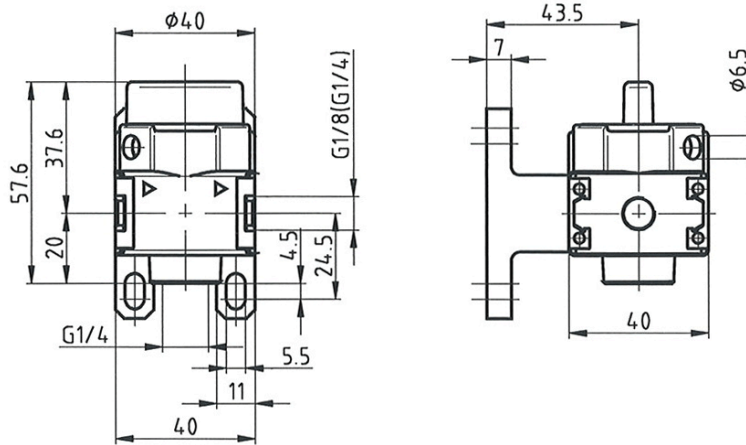
type

port size

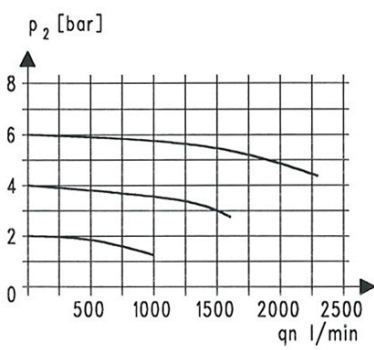
port size	
1	K 05 G 1/8
	K 06 G 1/4
options	
2	

- application information**
- easy block assembly for components to be connected in series
 - interlocking of several individual devices requires coupling kit(s) KP 05 (Pe max. 12 bar)
 - rebuilding to a 2/2-path-valve: close the pressure release hole "R"
 - lockable by padlock (high of shackle 20 mm)

dimensions (mm)



flow characteristics



accessories

mounting bracket assembly



type: ZW 05